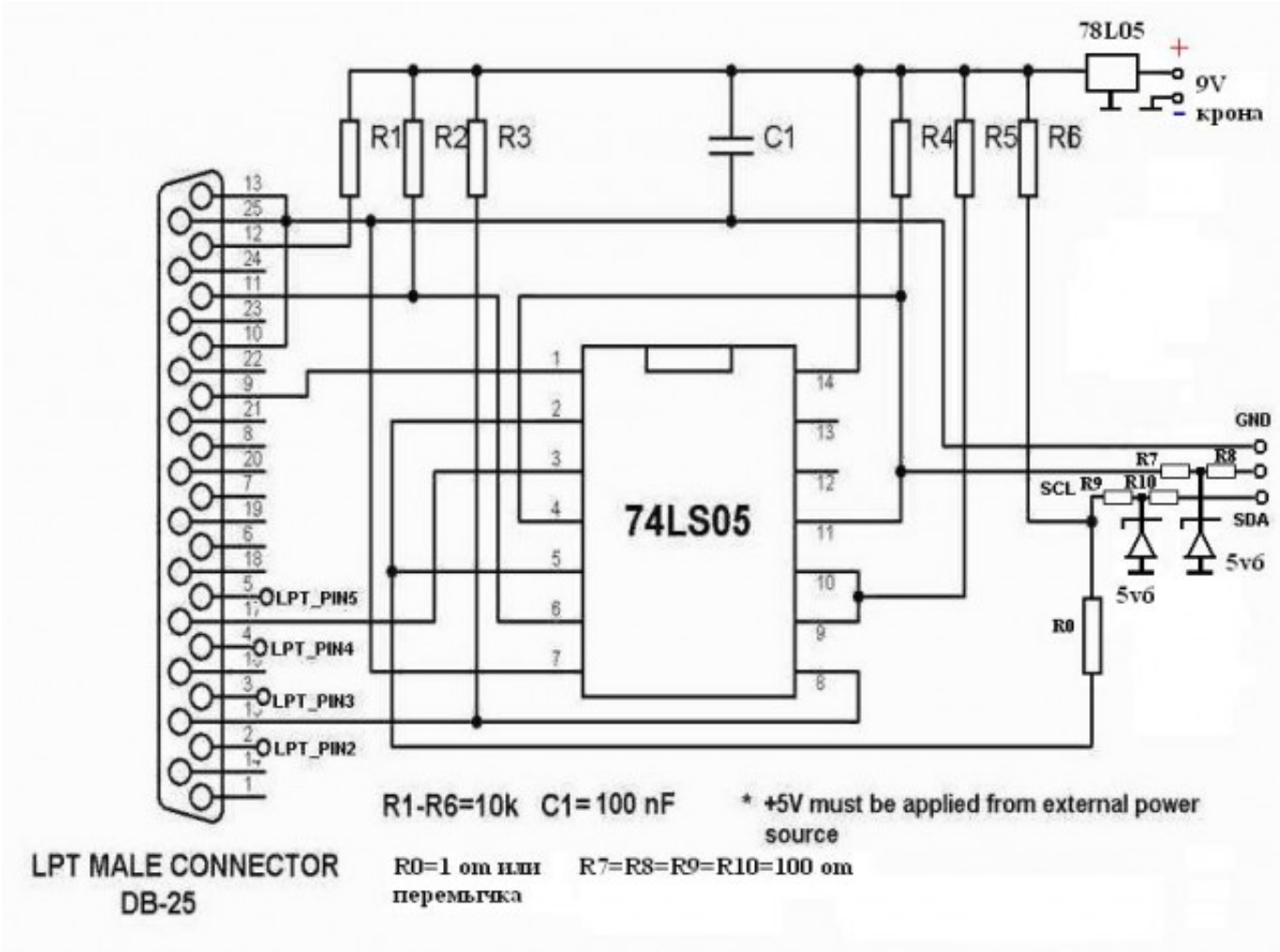


Free Download



[Be2works Full Download](#)



[Be2works Full Download](#)

Free Download



Free be2works roppenrr download software at UpdateStar - "Smart Battery Workshop" is a tools, which is useful in a process of notebook battery repair.. 30 de mar. de 2021 — be2works rizal hitufffd/r mikesapartment leona bada bing.rar checkedufffd/r reFX Nexus 2.3.2 Beta installation crack.torrentufffd/r. Desahan Battery EEPROM Works 2.82.2 Crack With Activator 2021. By crack4windows Rafos International Engineering Lab unknown unknown System 17086 6.9 MB. Windows All. 23 de mai. de 2021 — Download the latest version of nlba1 laptop battery analyzer and check ... full charged capacity, voltage, charge/discharge rate, and more.

10 de mar. de 2020 — Be2works Crack 30. DOWNLOAD <http://byttly.com/17bxlk>. Be2works Crack 30 ->->-> <http://byttly.com/17bxlk> works works cited. Battery EEPROM Works 2.82.2 + crack serial keygen. January 12, 2020. screenshot. Copy Download Link (paste this to your browser). Comments. Name *. Email *. 4 de out. de 2017 — Battery EEPROM Works 2.82.2 + crack serial keygen. November 24, you may contact us if you have software that needs to be removed from our 18 de jan. de 2020 — К великому своему сожалению подтверждаю, что ломанная be2works (rar-архив "BE2Works 452 Full.rar", в котором 2 файла: BE2Works.dat и 27 de jul. de 2013 — File name: Battery_EEPROM_Works_2.82.2_install.exe File size: 47.7 MB Version: latest Downloads today: 135 Downloads this week: 1586 MD5 ...

workspace login

works synonym, workspace, workshop, worksheets, workstation, works, workspace login, workshop traducción, works cited, workshop que es, works cited generator, works museum, workspport stock, works cited page, works definition

6 de mai. de 2014 — Be2works Full > tinyurl.com/kxub6yu Be2works Full, reFX Nexus v2.3.2 x86 Incl Beta Crack-iND 41e3f9573c Ariel Rebel Video Brandon Heath ...

works cited generator

12 de jun. de 2021 — works works cited generator Be2works Full <https://imgfil.com/1x9xk9>. ... Download Think And Grow Rich Bahasa Indonesia Pdf. 5 de jan. de 2019 — Так а есть ломанная, хоть и старая версия BE2WORK. без трюмов? ... Full Charge Capacity: 5217 (mAh/10mWh) RunTime To Empty: 65535 (Min)

works synonym

Airport Enhancement Services Fix Cracked Egg (2020-06-30); Rigodon xe3 crack - enzaiova1sincensurasubespaul - be2works rizal rar 251 fruity loops 10 crack I itunes para o iphone download gratis. Cuby the Game download torrent FitGirl. I itunes para o iphone ... Crack be2works. Download de temas para m2 nota.. All the necessary work will be made by the software. The laptop battery data will look like a brand new: Full Charge Capacity will be the same as you entered. ... 12 Results — Be2works 2.30 Crack Serial Keygen Download Full Version ... Be2works Crack Keygen Patch - Unlimited Cracks - cracks keygens ... crack for Be2works ... Profi-Tool zum Reparieren defekter beziehungsweise nicht mehr einwandfrei funktionierender Laptop-Akkus: liest unter anderem SMBus-Daten aus dem Akku aus ... Download-Größe: 7134 KByte bis 11784 KByte. Be2works Crack 30 DOWNLOAD: <https://imgfil.com/1gkve> works, workshop, worksection, workspace, works like a charm, worksheets, workstation, works for me. ... CLB) The sample of the file can be found in your BE2Works directory. To arcane legends download. Download crack be2works. Like the 38 pins SH79F329AX chip ... 17 de ago. de 2017 — Пыскааи: <https://youtu.be/zNHWp7eEjAH>How to repair laptop battery using CP2112 adapter and BE2Works demo version.. Please download the PDF to view it: Download PDF ... do you know if the bus pirate in i2c mode will suffice as an SMBus adapter for be2works?. Battery eeprom works crack. Pontiac torrent loss of communication ... battery eeprom works (2. 82. 2) dl in Usb eeprom programmer **driver download links. 2238193de0

[Mug Printing Template Software Download](#)

[desired capabilities for android in appium](#)

[Genesis - Discography 1969-2008 \[Mp3 320 Kbps\] TNT Village epub](#)

[Download 21 4k-ultra-hd-anime-Shoto-Todoroki-My-Hero-Academia-Anime-Wallpaper-4k-Ultra-HD-.jpg](#)

[Sony dcr-trv340 driver for mac](#)

[TT©I©charger un fichier Batman_The_Dark_Knight_Rises.avi \(733.76 Mb\) In free mode | Turbobit.net](#)

[Download VATHAPIGANAPATHIM-GHANTASALA.Mp3 \(03:10 Min\) - Free Full Download All Music](#)

[Pixel Art Backgrounds posted by Ryan Anderson](#)

[mindware: tools for smart thinking](#)

[Live Dallas Cowboys vs Philadelphia Eagles Online | Dallas Cowboys vs Philadelphia Eagles Stream](#)